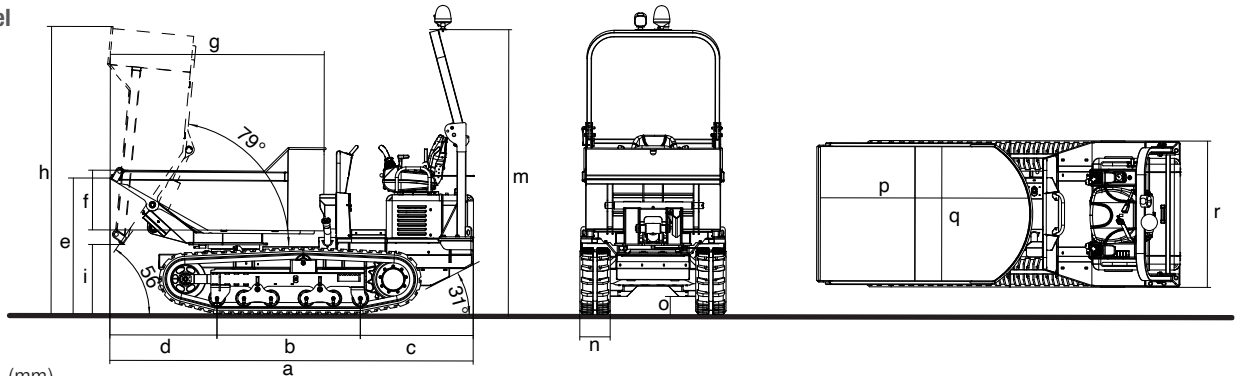


# CARRY230

skip with shovel



## DIMENSIONS (mm)

a	b	c	d	e	f	g	h	i	m	n	o	p	q	r
3232	1275	1004	953	1204	531	1903	2550	613	2530	270	159	1863	1192	1300

## equipment

	105	107	107ht	108hf	110	150	230
Skip prearranged for installation of self-loading shovel	std	std	std	std	std	opt	opt
Skip with rounded corners to facilitate material unloading	std	std	std	std	std	std	std
Wheel bearings with dust shield	std	std	std	std	-	std	std
Hardened drive sprockets for extended lifetime	std	std	std	std	std	std	std
Self Tension Crawler System (STCS)	std	std	std	std	std	std	std
Shovel arms with double attachment yoke	-	std	std	std	std	std	-
Quick hydraulic couplers to disconnect the shovel system	-	std	std	std	std	-	-
Tipping accessories support frame; rapid accessories changeover	-	std	std	std	std	std	-
Rugged accessories fixing joint equipped with adjustment system	-	std	std	std	-	-	-
Steel bushings with grease nipples at pivot points	-	std	std	std	std	std	std
Removable engine bonnet for improved access for checks, servicing and refuelling	-	std	std	std	std	std	std
Standard power take-off, 14 l / min flow rate	-	std	std	-	-	std	-
Standard power take-off, 20 l / min flow rate	-	-	-	-	-	std	-
Standard power take-off, 26 l / min flow rate	-	-	-	-	std	-	-
Standard power take-off, 28 l / min flow rate	-	-	-	std	-	-	-
Standard power take-off, 32 l / min flow rate	-	-	-	-	-	-	std
Bi-directional/mono-directional power take-off for demolition hammer	-	-	-	std	std	std	-
Exhaust with elbow for discharge towards the ground	-	std	std	std	std	std	std
Cartridge air filter with visual clog indicator	-	-	-	-	std	std	std
Combined water/oil cooler	-	-	-	-	std	std	opt
Self-loading shovel kit	opt	opt	opt	opt	-	opt	opt
Foldable footplate	opt	std	std	std	-	-	-
Accessory lifting components kit	-	opt	opt	opt	opt	-	-
Specific equipment for removing accessories in the absence of suitable lifting systems	-	opt	opt	opt	opt	-	-
Hour meter-rev counter kit	-	std	std	std	-	std	std
26 l / min Hi-Flow kit for demolition hammer, water drain pump, hydraulic hole diggers. Can be used exclusively with machine stationary	-	opt	opt	-	-	std	-
Concrete mixer kit with or without self-loading shovel	-	opt	opt	opt	opt	opt	-
760 - 1060 mm extendible undercarriage	-	opt	std	opt	-	-	-
Skip for construction with or without self-loading shovel	-	-	-	-	-	opt	opt
Bed with fold-down sides	opt	opt	opt	opt	-	opt	-
Bed with three opening sides and trilateral unloading	-	-	-	-	opt	opt	-
Trilateral skip	-	-	-	-	-	-	std